

# DAK-2S

## Dual Master Adaptor Kit for Two Station Systems

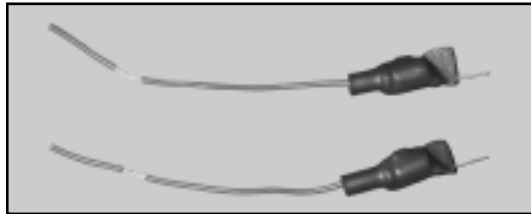
**DESCRIPTION:**

The DAK-2S dual master adaptor kit is designed for use with Aiphone's C-123L/A and LEM series. The kit contains component modules to allow two master stations to answer a single door. Additional kits may be used to add more than two masters to a system. There is no master-to-master communication, and only one master may be used at a time. A power supply is required for each master.

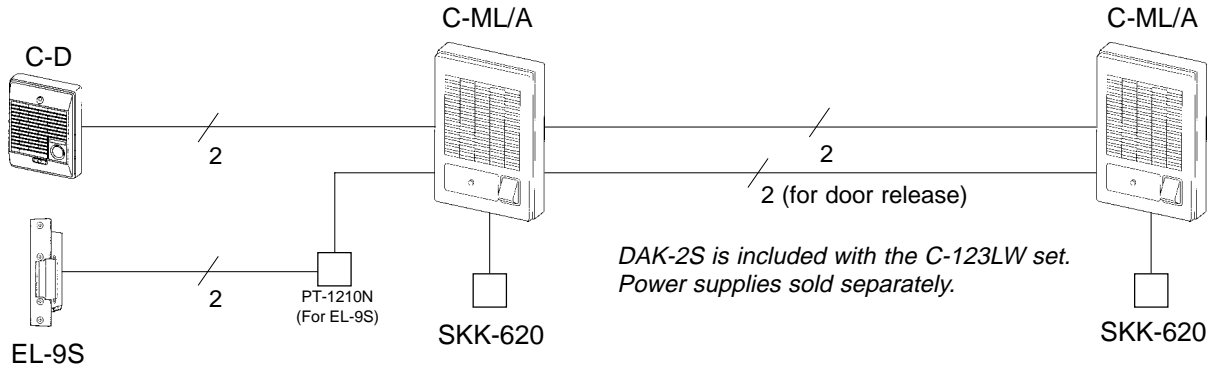
**FEATURES:**

- Compatible with 2-station systems
  - C-123LW (for additional masters)  
*(1 DAK-2S is included in C-123LW set)*
  - C-ML/A (DAK-2S is included w/unit)
  - LEM-1, LEM-3 (1 per channel on LEM-3)
  - LEM-1DL
- Kit contains two component modules, one per master
- Small enough to fit inside master station

**Component Modules**  
(2 per DAK-2S)



**C-123LW SYSTEM LAYOUT EXAMPLE:**



**LEM-1DL SYSTEM LAYOUT EXAMPLE:**

