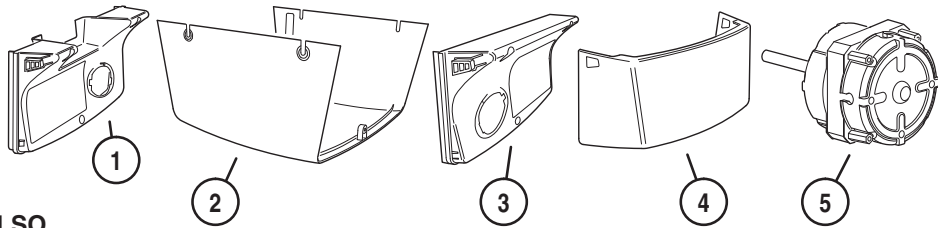
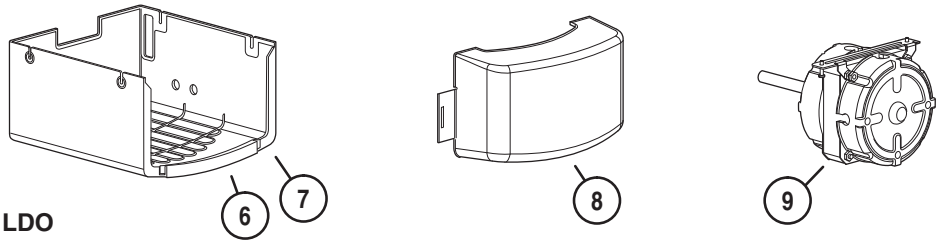


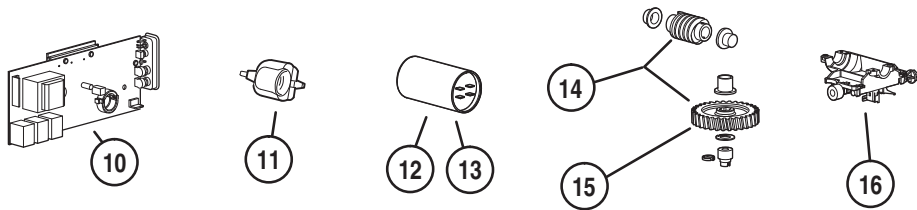
OPERATOR HEAD PARTS



LSO

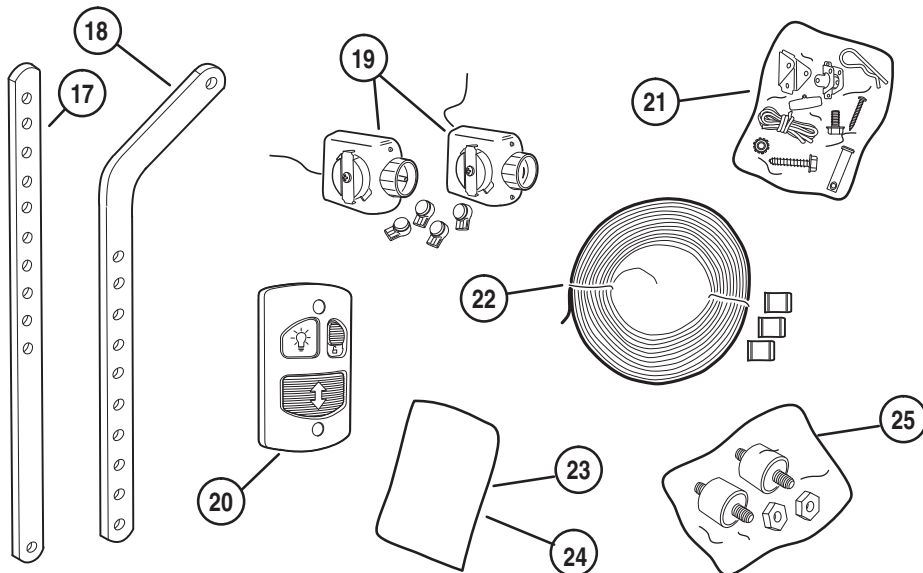


LDO



LSO & LDO

MISCELLANEOUS OPERATOR PARTS



LSO & LDO

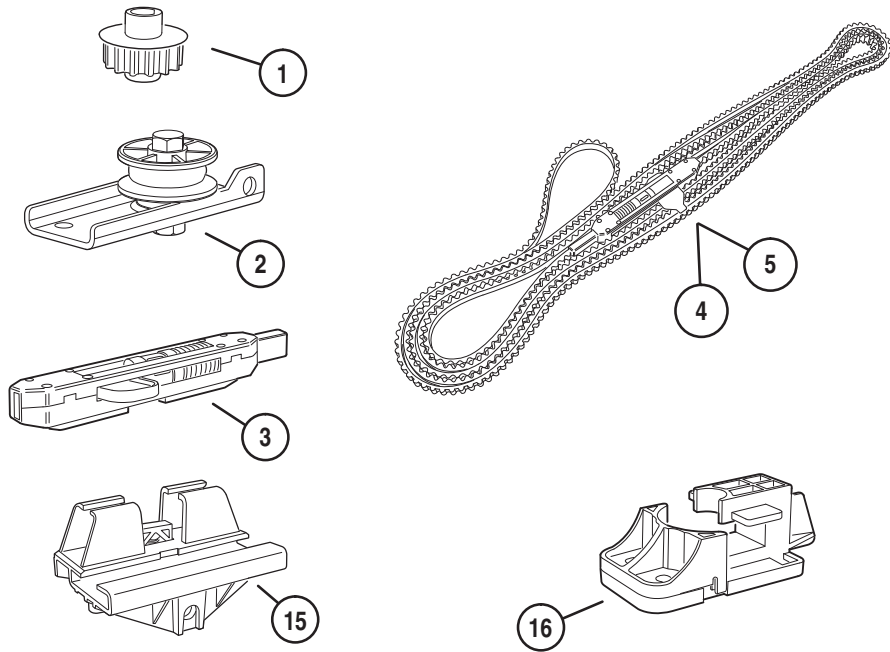


GARAGE DOOR OPERATOR
REPLACEMENT PARTS LIST

LS050
LD033
LD050

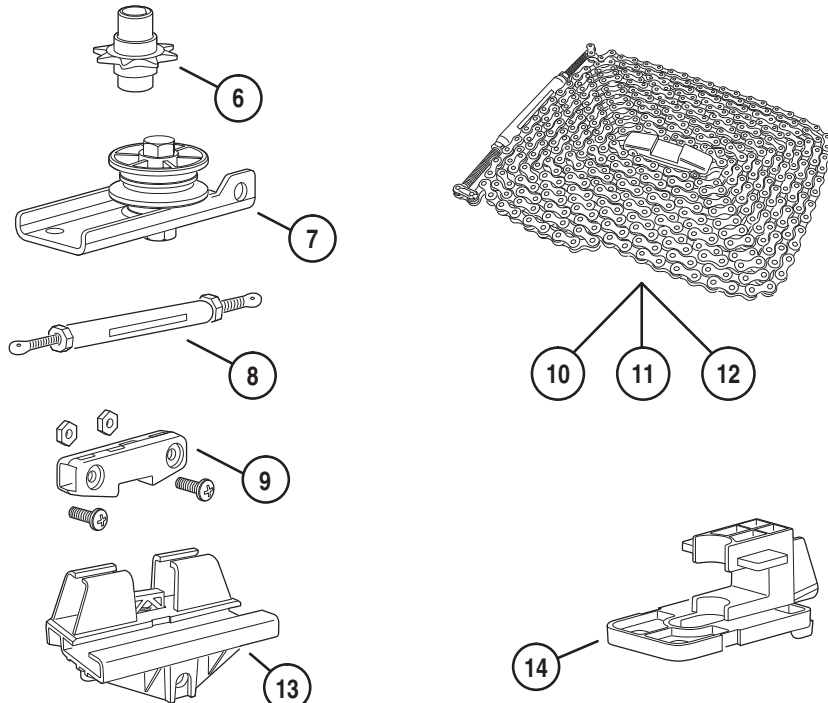
ITEM #	REPLACEMENT PART	PART #
1	REAR LSO END COVER (WITH LABELS)	HAE00027
2	MAIN LSO COVER (WITH LABELS)	HAE00026
3	FRONT LSO END COVER (WITH LABELS)	HAE00028
4	LSO LENS COVER (FITS BOTH ENDS)	220918
5	LSO MOTOR	220919
6	1/3 HP LDO COVER (WITH LABELS)	HAE00011
7	1/2 HP LDO COVER (WITH LABELS)	HAE00012
8	LENS COVER	217645
9	LDO MOTOR	217881
10	CONTROL BOARD (LOGIC/RECEIVER/TORQUE)	HAE00039
11	LAMP SOCKET ASSEMBLY	218014-01
12	1/3 H.P. CAPACITOR (43-53 MFD) <i>FOR LDO33 ONLY</i>	219109
13	1/2 H.P. CAPACITOR (53-64 MFD) <i>FOR LDO50 OR LSO50</i>	219110
14	HELICAL & WORM GEARS (WITH GREASE)	HAE00010
15	HELICAL GEAR (WITH GREASE)	HAE00006
16	LIMIT SWITCH ASSEMBLY	HAE00004
17	DOOR ARM - STRAIGHT	217309
18	DOOR ARM - BENT	217308
19	SAFETY BEAM SENDER & RECEIVER (WITH WIRE)	HAE00002
20	WALL STATION	HAE00001
21	COMPLETE HARDWARE KIT	220205-01
22	WIRE KIT (24 SETS OF WIRE & CLIPS)	HAE00009
23	LDO INSTRUCTIONS AND LABELS	HAE00030
24	LSO INSTRUCTIONS AND LABELS	HAE00031
25	VIBRATION ISOLATORS	HAE00021

OPERATOR RAIL PARTS



HBT BELT DRIVE RAIL

HCT CHAIN DRIVE RAIL



**GARAGE DOOR OPERATOR
REPLACEMENT PARTS LIST**

**LS050
LD033
LD050**

ITEM #	REPLACEMENT PART	PART #
1	HBT DRIVE SPROCKET	220499
2	HBT PULLEY AND BRACKET	218954-03
3	HBT INNER SLIDE ASSEMBLY	HAE00022
4	7 FOOT BELT ASSY	HAE00023
5	8 FOOT BELT ASSY	HAE00033
6	HCT DRIVE SPROCKET	217436
7	HCT PULLEY AND BRACKET	HAE00014
8	HCT TURNBUCKLE ASSEMBLY	HAE00013
9	HCT INNER SLIDE ASSEMBLY	HAE00018
10	7 FOOT CHAIN ASSY	HAE00015
11	8 FOOT CHAIN ASSY	HAE00032
12	10 FOOT CHAIN ASSY	HAE00017
13	TROLLEY ASSEMBLY	218189-01
14	DRIVE SPROCKET HOLDER AND BELT CLAMP <i>BELT CLAMP FOR USE ON HBT BELT RAILS ONLY</i>	HAE00025