

Eternity III TK NS Operation Manual

It's necessary to change the master code immediately once you setup the lock

General Information

- **Users Capacity:** Contain 299 users, combination of iButton, keypad, or dual access users.
- **Access Option:** iButton, Keypad, iButton+Keypad, Mechanic key
- **Key code Length:** 4-8 Digit (Including Index Number)
- **Exit Setting:** Use * one time, or wait for 10 second to exit the setting
- **Entering in Setting Mode:** #, Master Code, #.
- **Reset the Lock:** Touch and Hold the reset button for 10 seconds. (Underneath the battery holder on the back lock)
- **Keypad:** 12 digits Keypad, including #, *

How To Unlock

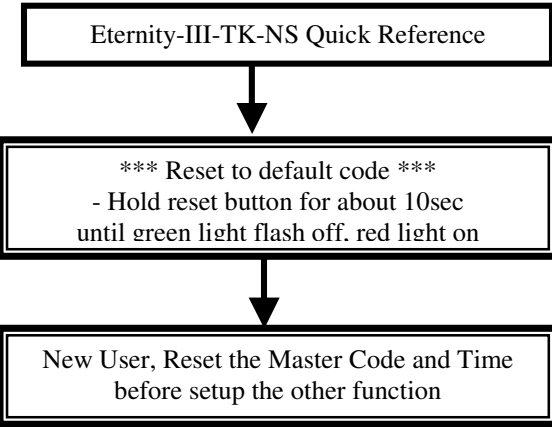
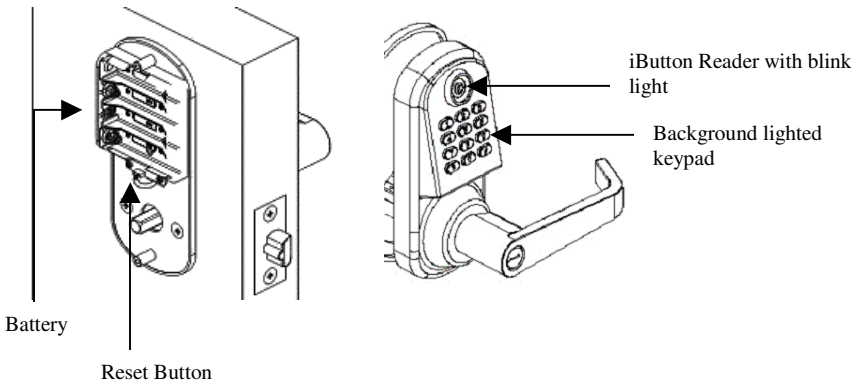
- **Key code:** Index Number , code, #
- **iButton:** Touch iButton
- **iButton+Keypad Dual Access:** Touch iButton, code, #
- **One Time Code User:** 300, then code, #

Manufactory Default Setting

- Storehouse Mode
- Day Time Saving Disabled
- Auto Lock Disabled
- Background Light On
- Default Master Code: 123456

Major Function

- Auto Lock At Preset Time
- Optional Time Restricted User
- Classroom Mode or Storehouse Mode
- Audit Trail Available



11#	Change Master Code w/o delete user	#old master code# + 11# + new code# + new code#
22#	Change Master Code & delete all user	#old master code# + 22# + new code# + new code#
01#	Add/Modify Keypad User (no time limit)	#master code# + 01# + index # + user code# + # + #
01#	Add/Modify iButton User (no time limit)	#master code# + 01# + index # + touch iButton + # + #
01#	Add/Modify iButton+Keypad User (no time limit)	#master code# + 01# + index # + keycode # + touch iButton + # + #
01#	Add/Modify Keypad User (time limit)	#master code# + 01# + index # + user code# + yymmddhhmm# + yymmddhhmm #
01#	Add/Modify iButton User (time limit)	#master code# + 01# + index # + touch iButton + yymmddhhmm# + yymmddhhmm #
01#	Add/Modify iButton+Keypad User (time limit)	#master code# + 01# + index # + keypad# + touch iButton + yymmddhhmm# + yymmddhhmm #
02#	Temporary deactivate one user	#master code# + 02# + Index code#
03#	Reactivate user	#master code# + 03# + Index code#
15#	Classroom/Storehouse Mode Changeable	#master code# + 15#
18#	Blink light setting "On & Off" for IB Reader	#master code# + 18# (repeat "on & off")
31#	Daytime Saving "Enable"	#master code# + 31#
32#	Daytime Saving "Disable"	#master code# + 32#
33#	One time use user only	#master code# + 33# + user code# (limited to 10 user only)
34#	Background Light Setting "Enable"	#master code# + 34#
35#	Background Light Setting "Disable"	#master code# + 35#
44#	Delete user	#master# + 44# + index code# (no user code needed)
66#	Setup the Auto-Lock Time	#master code# + 66# + HHMM#
67#	Auto-Lock Function "Enable"	#master code# + 67#
68#	Auto-Lock Function "Disable"	#master code# + 68#
88#	Setup Time	#master code# + 88# + yy+mm+dd+hh+mm#
99#	Lockout & Unlockout all user	#master code# + 99#

Detail Reference

Operation	Procedure	Response	Note
Master Code Operation (Version 1.0, Step 4 is not needed)	Reset Master Code and Delete Existing Users 1. #, Old master code, #, 2. 22# 3. New Master Code #. 4. New Master Code (repeat) #	Green light flashes four times Beeps four times.	<ul style="list-style-type: none"> Master code is for set up lock only, not for unlock. Default Code: 123456 New master code: 1-8 Digits, Except 123456
	Reset Master Code and Not Delete Users 1. #, Old master code, #, 2. 11# 3. New Master Code #. 4. New Master Code (repeat) #		
Set Up Time	1. #, Master Code, # 2. 88# 3. Put in time, #	Green light flashes Beeps twice	Time format: “yy+mm+dd+hh+mm”
Add/ Modify Key Code User	1. #, Master Code, #, 2. 01, # 3. Index Number (001-299), # 4. User Code, # 5. Starting Time, # 6. Ending Time, # 7. To continue add user code, before exit the setting mode, repeat from Step 3, otherwise, exit by “*”	After each step, 2 green light flashes, 2 short beeps After completion of one Index code, 3 green light flashes, 3 short beeps On exit, red light flash, single long beep	<ul style="list-style-type: none"> Time format: yymmddhhmm, for example: May 23rd, 2007, 15:24, entering: 0705231524. If there is no time restriction, just put # to skip the time format DO NOT add an iButton user in the same setup as a key code user Index Number+ user code + “#”
Add/ Modify iButton User	1. #, Master Code, # 01, # 2. Index Number (001-299), # 3. Touch IButton 4. Starting Time, # 5. Ending Time, # 6. To continue add user code, before exit the setting mode, repeat from Step 3, otherwise, exit by “#”	Same as Add User Code	
Add/ Modify iButton+ Keypad User	1. #, Master Code, # 2. 01, # 3. Index Number (001-299), # 4. User Code, # 5. Touch iButton, 6. Starting time, # 7. Ending time, # 8. To continue add user code, before exit the setting mode, repeat from Step 3, otherwise, exit by “#”	Same as Add User Code	
Set One Time Use User	1. #, Master Code, # 2. 33# 3. User code (1-8 Digs) + “#” 4. To continue setup one time user, repeat step 3.	Green light flashes, beeps twice	Can set 10 users To unlock: 300 + user code + “#”

Operation	Procedure	Response	Note
Temporary Deactivate One User (Not Delete)	1. #, Master Code, # 2. 02, # 3. Index Number you need deactivate (001-299), # 4. To continue deactivate user, Repeat from Step 3, otherwise, exit by “*”	Green Light flashes, beeps twice	If the de-active user tries to use the code to open the lock, it shows three green light and three beeps, lock stay lock.
Reactivate User	1. #, Master Code, # 2. 03# 3. Index Number (001-299), # 4. To continue reactivate user, repeat from Step 3, otherwise, exit by “*”	Green Light flashes, beeps twice	
Delete User	1. #, Master Code, # 2. 44# 3. Index Number (001-299), #, 4. To continue terminate user, Repeat from Step 3, otherwise, exit by “*”	After completion of one Index code, 3 red light flashes, 3 short beeps	
Lockout all User/ Unlock All User	1. #, Master Code, # 2. 99# Use the same way to unlock lockout mode	Red light flashes, beeps three times (lockout mode) Green light flashes, beeps twice (normal mode)	If user tries to open the lock out lock, green light flash 4 times, beep 4 times.
Set Classroom Mode /Storehouse Mode	1. #, Master Code, # 2. 15, #	Green light flashes, Beeps twice (Set storehouse mode) Red light flashes, Beeps three times (Set classroom mode)	Use the same method to go to storehouse mode.
Set/Cancel Blink	1. #, Master Code, # 2. 18, # (Use same way to cancel setting)	“Turn off” response: Green light flashes, Beeps twice: “Turn on” response: Red light flashes three times, Beeps three times	
Set Auto-Lock Time	1. #, Master Code, # 2. 66# 3. HHMM + “#”	Green light flashes, Beeps twice	It will lock everyday at the same time
Enable/ Disable Auto Lock Function	1. #, Master Code, # 2. 67, # (Enable Auto lock function) or 68, # (Disable Auto Lock function)	Enable response: Green light flashes, beeps twice Disable response: Red light flashes beeps three times	
Daytime Saving Enable	1. #, Master Code, # 2. 31#, (Enable) or 32# (Disable)	Red light flashes, beeps three times (daylight enable) Green light flashes, beeps twice (daylight disable)	