

Key Features

- Long-range active-infrared night vision to 400m (1,300ft)
- Award-winning, US Patented design
- High-efficiency Gold Optics
- High-output performance
- High bulb output
- Low power consumption
- Small robust construction
- Long bulb life at 1,000 hours average
- All-weather IP66 housing

Product Description

Extreme CCTV's mastery of Active-Infrared Night Vision expands into the 400m (1,300ft) range with the new UF600. The high-output illuminator is based on the U.S. Patented UF500, the most widely used infrared illuminator in the industry.

The UF600 is engineered to allow for Plug and Play long-range surveillance capability. High-specification optical filters act to isolate the "invisible" wavelength of 695nm, just beyond the visible spectrum. Increased bulb power drives a high-fidelity six degree spot beam powerful enough for the most demanding night vision applications.

A twin UF600 system with high-performance lens and IR-sensitive camera can achieve night-time distances to 400m. The assembly may also be integrated with PT motors for added surveillance versatility.

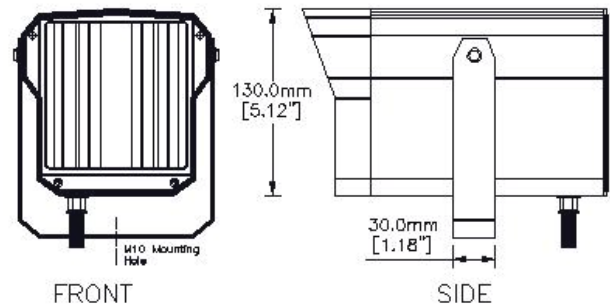
The resulting illumination is uniform both vertically and horizontally for "Even-Illumination" clarity, first patented by Extreme in the groundbreaking UF500 series. The UF600 shares the same field-proven power-management principles as the UF500 to achieve reduced power consumption and outstanding performance.

Product Image



Applications

- Ports and harbors
- Critical infrastructure surveillance
- Water reservoirs
- Defence applications
- Railways
- Airports
- Prisons
- Homeland security



Daytime, Zoom Out:
An overview image of a distant scene. The red arrow indicates a distance of 400m (1,300ft), where no details are visible, even during daytime.



Night-Time, Zoom In:
The position at the red arrow above, at night and as seen by the UF600 performance kit. Dual UF600s, FSX800 camera and 8-154mm IR lens clearly illuminate the cars at 400m.

Note: Digitally compressed images. Better resolution can be expected in application.

Patent Pending. Specifications are subject to change without notice
© Extreme CCTV Inc 2007. Extreme CCTV International Inc is a subsidiary of Extreme CCTV Inc

UF600_TS_070101

Dealer / Distributor



Corporate Headquarters
Extreme CCTV Inc
TF: 1 888 409 2288
T: +1 604 420 7711
F: +1 604 420 3300
E: Sales@ExtremeCCTV.com
www.ExtremeCCTV.com



European Operations
Derwent Systems Ltd
A Division of Extreme CCTV (UK) Ltd
T: +44 (0) 1670 730 187
F: +44 (0) 1670 730 188
E: SalesUK@DerwentCCTV.com
www.DerwentCCTV.com

Specifications
(Other Special Order Models available on request)

| | UF600 High Performance Infrared Illuminator |
|--------------------------------|--|
| Radiated Output | Equivalent to ordinary 500 W |
| Optics | Optimized focus, gold optics system |
| Power Consumption | 200 W per illuminator |
| Bulb Life | Average 1,000 hours |
| Wavelength | 695nm |
| Beam Pattern | High fidelity spot beam, 6° |
| Photocell | Dusk / dawn automatic switching |
| Cabling | Supplied with 4m (13ft) lead |
| Mains Supply | 120 VAC, 60Hz |
| Auxillary Output | 12 VDC for camera |
| Remote Control | On/off dry contact switching from telemetry system |
| Construction | Robust cast and extruded aluminum |
| Weight | 1.9 kg ~4 lbs |
| Color | Black |
| Operational Temperature | -40°C to +50°C -40°F to 122°F |

Recommended Performance Kit

| | |
|-----------------------|--------------------------------|
| IR Illuminator | UF600 (2 units) |
| Lens | XLR8-154 IR Zoom Lens, 8-154mm |
| Camera | FSX800 |
| Housing | EX28 All-Weather Housing |
| Pan-Tilt Motor | QPT90 (Quickset) |
| Adaptor | EXMB.055 |
| Power Supply | UF600.003 |



The UF600 performance kit delivers 400m (1,300ft) of high resolution Night Vision suitable for intelligent video functions.

Dealer / Distributor



Corporate Headquarters
Extreme CCTV Inc
 TF: 1 888 409 2288
 T: +1 604 420 7711
 F: +1 604 420 3300
 E: Sales@ExtremeCCTV.com
 www.ExtremeCCTV.com



European Operations
Derwent Systems Ltd
 A Division of Extreme CCTV (UK) Ltd
 T: +44 (0) 1670 730 187
 F: +44 (0) 1670 730 188
 E: SalesUK@DerwentCCTV.com
 www.DerwentCCTV.com