

Key Features

- High output to 250 meters (820 ft) illumination distance
- Range of beam patterns from spot to wide angle
- Range of filters from 730 nm to covert 950 nm
- Low operating cost, using less power
- Even-Illumination, US Patent #6158879
- No foreground over-exposure
- No background under-exposure
- Rugged and weatherproof
- Long bulb life at 3,000 hours
- Low operating voltage at 28.6 VAC
- Extends the dynamic range of CCD cameras in night time conditions

Product Description

The UF500 series of illuminators for CCTV applications is specially designed for covert or semi-covert operations using special gold optics and high efficiency quartz halogen bulbs for **unsurpassed night viewing up to 820 ft.** The unique cosec² lens reverses the inverse square law to provide evenly distributed illumination from the foreground to background for the entire scene. The shorter and thicker bulb filaments operating at lower voltages and temperatures are less vulnerable to shock and vibration. The result of these features is a high-performance illuminator with 40% higher efficiency and 50% longer life than traditional illuminators.

The U.S. Patented UF500 by Extreme CCTV, is the favored illuminator in the UK where night-time video monitoring is broadly utilized for proactive policing.

Product Image

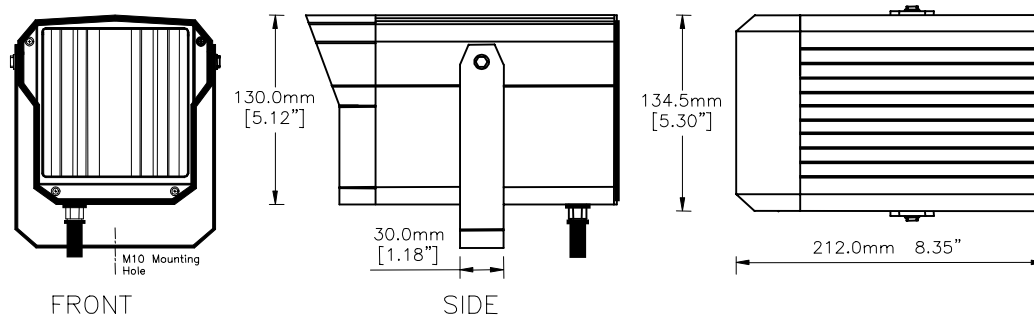


Applications

- Night-time surveillance where normal lighting is too expensive or prohibited
- Covert surveillance in a wide range of outdoor conditions
- Prison properties
- School ground properties
- Airport grounds where visible lighting is prohibited
- Police surveillance to streets and buildings
- Enhancement to motorized pan-tilt-zoom cameras for low-light and backlight conditions

Certifications / Compliance

CSA Std C22.2 (No 0-M1991)	General Requirements
CSA Std C22.2 (No 0.4-M1982)	Bonding & Grndg of Elec Equip
CSA Std C22.2 (No 66-1988)	Specialty Transformers
CSA Std C22.2 (No 205-M1983)	Signal Equipment
CSA Std C22.2 (No 91-M91)	Special Purpose Enclosure
CSA Std C22.2 (No 250-00)	Luminaires
UL Std No 506	Transformers, Specialty
UL Std No 50	Enclosures for Elec Equip
UL Std No 1598	Luminaires

Technical Drawings

Specifications

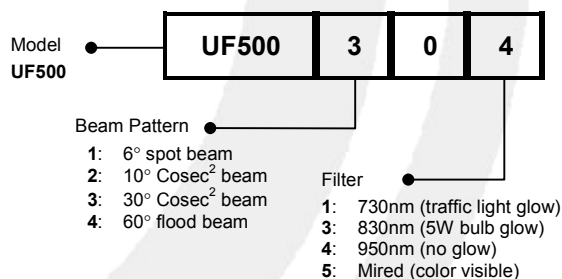
(Other Special Order Models available on request)

UF500 Infrared Illuminator	
Illuminator	
Radiated Output	Similar to ordinary 500 W
Viewing Range	Various models to match camera specs
Optics	Optimised focus, gold optics system
Available Wavelengths	730nm, 830nm, 950nm
Beam Pattern	6° spot beam, 10° Cosec ² beam, 30° Cosec ² beam, 60° flood beam
Bulb Life	Average 3,000 hours
Power Consumption	170 W (28.6 VAC, 5.8A) Max
Color	Black (standard)
Construction	Robust aluminum casting / extrusion
Weight	4.0 kg (8.8 lbs) per illuminator
Temperature	-30°C to 50°C (-22°F to 122°F)
Power Supply	
Input	120 VAC 60 Hz (1.6A), 240 VAC 50 Hz (3.2A)
Output	28.6 VAC nominal Single lamp system 177VA, 6.2A draw Dual lamp system 354VA, 12.4 A draw
Remote Control	On/Off volt-free contact switching
Auxiliary Output	12 VDC, 650mA - regulated for camera
Photocell	Day / night automatic switching with adjustable sensitivity
Weight (Single)	7.48 lbs (3.4 kg)
Weight (Dual)	10.12 lbs (4.6 kg)
Dimension	250mm x 160mm x 90mm 9.8" x 6.3" x 3.5"

Performance Notes:

The following figures represent tested IR illumination distances for a 20dB image using a 1/2" LXR camera and an F1.4 lens as determined by Derwent Systems Ltd. of the United Kingdom. Actual in-field distances will depend on several factors, including the infrared sensitivity of the camera and lens.

Model	Part Number (excluding PSU)	Illumination Distance
730nm 6°	UF500.101	250m 820ft
730nm 10°	UF500.201	210m 690ft
730nm 30°	UF500.301	160m 525ft
730nm 60°	UF500.401	100m 330ft
830nm 6°	UF500.103	148m 485ft
830nm 10°	UF500.203	124m 408ft
830nm 30°	UF500.303	95m 311ft
830nm 60°	UF500.403	59m 195ft
950nm 6°	UF500.104	87m 287ft
950nm 10°	UF500.204	73m 241ft
950nm 30°	UF500.304	56m 184ft
950nm 60°	UF500.404	35m 115ft

Part Numbers


Under "even" illumination, the vehicle, the buildings and the bush in the background are all clearly seen despite the apparent darkness.


Optional Accessories

EXMB.010	Dual arm bracket for standard pan/tilt heads
EXMB.015	Pole Mount Adaptor
EXMB.020	Versatile L-bracket
UF500.010	Replacement bulb kit
UF500.001	PSU, 120 VAC, 60 Hz, single lamp
UF500.003	PSU, 120 VAC, 60 Hz, dual lamp

Example Dual Lamp Configuration:

1. Two (2) UF500.203 IR Illuminator 830 nm / 10°
2. UF500.003 Dual Lamp Power Supply
3. EXMB.010 Dual Arm Mounting Bracket
4. Weatherproof Housing
5. Pan-Tilt Motor
6. Extreme CCTV Extended IR FSX800 Camera